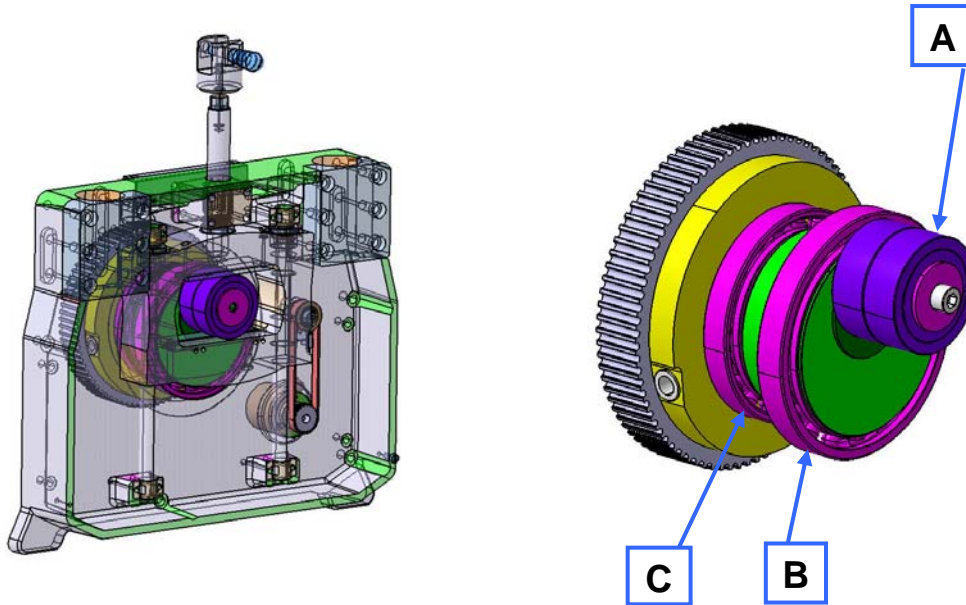


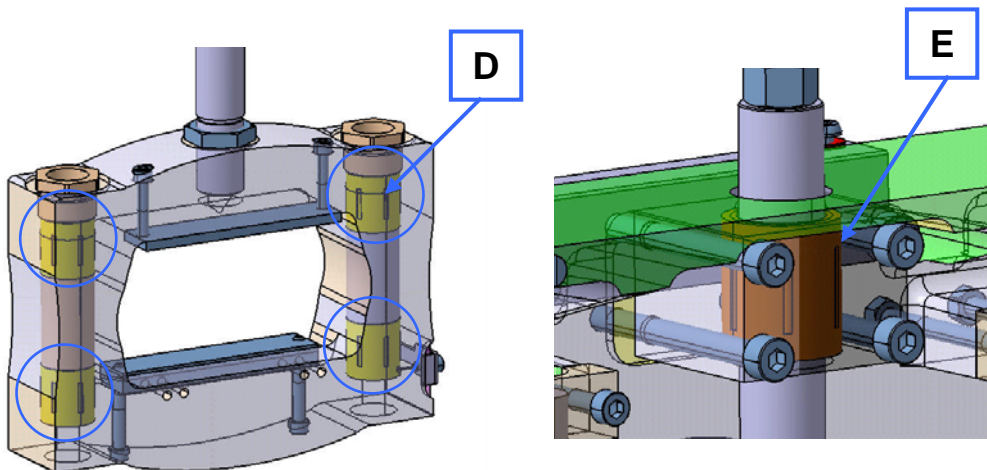
## Bearings list in DINO 5.5-76.2 and DINO 6-76.2

### a) SCOTCH YOKE mechanism



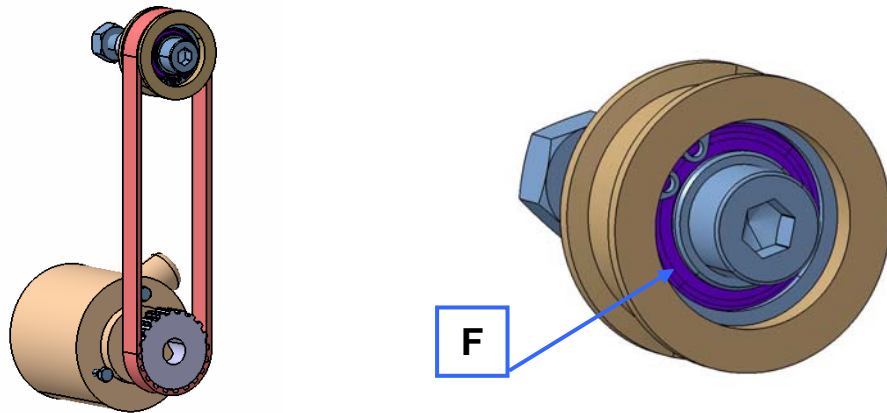
Bearings description:

- A: NAST – 35 – 2Z – Needle roller bearings
- B: 61922 – 2RS – Deep groove ball bearings
- C: 61919 – 2RS – Deep groove ball bearings



- D: KH2030 - Linear bearing
- E: KH2540 - Linear bearing

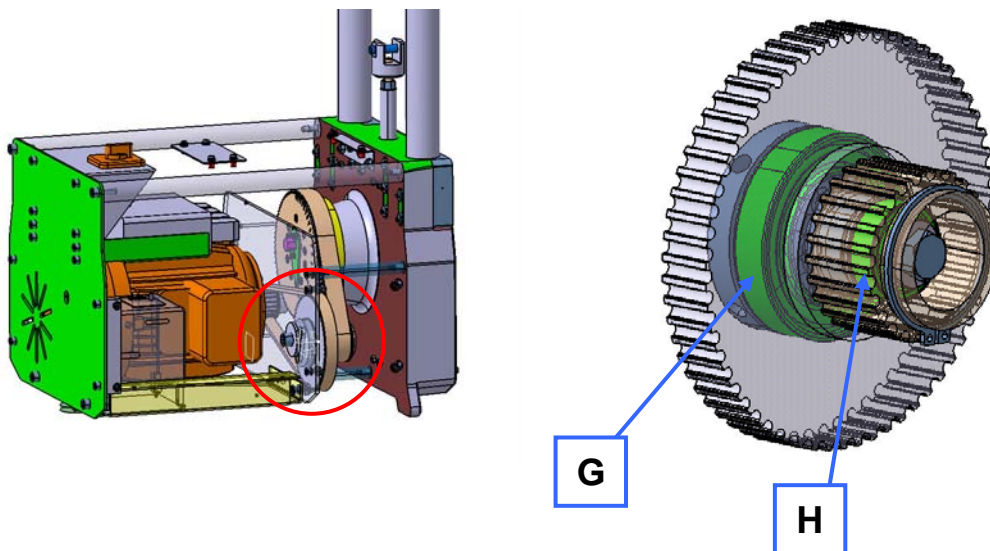
## b) Encoder assembly



Bearings description:

- F: 61901 – 2RS – Deep groove ball bearings

## c) Reduction system – Double pulley



Bearings description:

- G: 6009 – 2RS - Deep groove ball bearings
- H: 6202 – 2RS - Deep groove ball bearings